

# JET

**JSS-354**  
**JSS-354V**

**SCROLL SAW**

Original:

**GB**  
**Operating Instructions**

Translations:

**D**  
**Gebrauchsanleitung**

**F**  
**Mode d'emploi**



**JPW (Tool) AG**  
Tämperlistrasse 5  
CH-8117 Fällanden  
Switzerland  
Phone +41 44 806 47 48  
Fax +41 44 806 47 58  
[www.jettools.com](http://www.jettools.com)

**CE**

**CE-Conformity Declaration**  
**CE-Konformitätserklärung**  
**Déclaration de conformité CE**

**Product / Produkt / Produit:**

Scroll Saw  
Dekupiersäge  
Scie à chantourner

**JSS-354 / JSS-354V**  
JSS-354-M / JSS-354V-M

**Brand / Marke / Marque:**

JET

**Manufacturer / Hersteller / Fabricant:**

JPW (Tool) AG, Tämperlistrasse 5, CH-8117 Fällanden, Switzerland

We hereby declare that this product complies with the regulations

Wir erklären hiermit, dass dieses Produkt der folgenden Richtlinie entspricht

Par la présente, nous déclarons que ce produit correspond aux directives suivantes

**2006/42/EC**

Machinery Directive / Maschinenrichtlinie / Directive Machines

**2014/30/EU**

electromagnetic compatibility / elektromagnetische Verträglichkeit / compatibilité électromagnétique

designed in consideration of the standards

und entsprechend folgender zusätzlicher Normen entwickelt wurde

et été développé dans le respect des normes complémentaires suivantes

**EN ISO 12100 :2010**

**EN 61029-1:2009+A11:2010**

**EN 55014-1:2006+A2:2011**

**EN 55014-2:2015**

**EN 61000-3-2:2014**

**EN 61000-3-3:2008**

Responsible for the Documentation / Dokumentations-Verantwortung / Responsabilité de Documentation:

Hansjörg Meier

Head Product-Mgmt / Leiter Produkt-Mgmt./ Resp. de Gestions Produits

JPW (Tool) AG



2016-03-03 Alain Schmid, General Manager  
JPW (Tool) AG, Tämperlistrasse 5, CH-8117 Fällanden,  
Schweiz / Suisse / Switzerland

# GB - ENGLISH

## Operating Instructions

Dear Customer,

Many thanks for the confidence you have shown in us with the purchase of your new JET-machine. This manual has been prepared for the owner and operators of a JET **JSS-354 / JSS-354V scroll saw** to promote safety during installation, operation and maintenance procedures. Please read and understand the information contained in these operating instructions and the accompanying documents. To obtain maximum life and efficiency from your machine, and to use the machine safely, read this manual thoroughly and follow instructions carefully.

### ...Table of Contents

#### 1. Declaration of conformity

#### 2. Warranty

#### 3. Safety

Authorized use  
General safety notes  
Remaining hazards

#### 4. Machine specifications

Technical data  
Noise emission  
Contents of delivery  
Description of the machine

#### 5. Transport and start up

Transport and installation  
Assembly  
Dust connection  
Mains connection  
Starting operation

#### 6. Machine operation

#### 7. Setup and adjustments

Changing the saw blade

#### 8. Maintenance and inspection

#### 9. Troubleshooting

#### 10. Environmental protection

#### 11. Available accessories

### 1. Declaration of conformity

On our own responsibility we hereby declare that this product complies with the regulations\* listed on page 2. Designed in consideration with the standards\*\*.

### 2. Warranty

The Seller guarantees that the supplied product is free from material defects and manufacturing faults. This warranty does not cover any defects which are caused, either directly or indirectly, by incorrect use, carelessness, accidental damage, repair, inadequate maintenance or cleaning and normal wear and tear.

Guarantee and/or warranty claims must be made within twelve months from the date of purchase (date of invoice). Any further claims shall be excluded.

This warranty includes all guarantee obligations of the Seller and replaces all previous declarations and agreements concerning warranties.

The warranty period is valid for eight hours of daily use. If this is exceeded, the warranty period shall be reduced in proportion to the excess use, but to no less than three months.

Returning rejected goods requires the prior express consent of the Seller and is at the Buyer's risk and expense.

Further warranty details can be found in the General Terms and Conditions (GTC). The GTC can be viewed at [www.jettools.com](http://www.jettools.com) or can be sent by post upon request.

The Seller reserves the right to make changes to the product and accessories at any time.

### 3. Safety

#### 3.1 Authorized use

This machine is designed for sawing wood, wood derived materials as well as similar to be machined hard plastics only.

Machining of other materials is not permitted and may be carried out in specific cases only after consulting with the manufacturer.

The workpiece must allow to safely be loaded, supported and guided.

The proper use also includes compliance with the operating and maintenance instructions given in this manual.

The machine must be operated only by persons familiar with its operation and maintenance and who are familiar with its hazards.

The required minimum age must be observed

The machine must only be used in a technically perfect condition  
When working on the machine, all safety mechanisms and covers must be mounted.

In addition to the safety requirements contained in these operating instructions and your country's applicable regulations, you should observe the generally recognized technical rules concerning the operation of woodworking machines.

Any other use exceeds authorization. In the event of unauthorized use of the machine, the manufacturer renounces all liability and the responsibility is transferred exclusively to the operator.

#### 3.2 General safety notes

Woodworking machines can be dangerous if not used properly. Therefore the appropriate general technical rules as well as the following notes must be observed.

Read and understand the entire instruction manual before attempting assembly or operation.

Keep this operating instruction close by the machine, protected from dirt and humidity, and pass it over to the new owner if you part with the tool.

No changes to the machine may be made.

Daily inspect the function and existence of the safety appliances before you start the machine.

Do not attempt operation in this case, protect the machine by unplugging the mains cord.

Remove all loose clothing and confine long hair.

Before operating the machine, remove tie, rings, watches, other jewellery, and roll up sleeves above the elbows.

Wear safety shoes; never wear leisure shoes or sandals.

Always wear the approved working outfit

- safety goggles  
- ear protection.

#### Always wear safety goggles.

During machine operation the transparent sawguard must always be lowered to the workpiece

Insure that the workpiece does not roll when cutting round pieces.

Use suitable table extensions and supporting aids for difficult to handle workpieces.

Never cut pieces that are too small.

During cutting operation the workpiece must firmly be pressed against the table surface.

#### **Do not perform any operation freehand.**

Remove cut and jammed workpieces only when motor is turned off and the machine is at a complete standstill.

Do not reach under the scroll saw table when the motor is running.

Install the machine so that there is sufficient space for safe operation and workpiece handling.

Keep work area well lighted.

The machine is designed to operate in closed rooms and must be placed stable on firm and levelled ground.

Make sure that the power cord does not impede work and cause people to trip.

Keep the floor around the machine clean and free of scrap material, oil and grease.

Stay alert!  
Give your work undivided attention.  
Use common sense.

Keep an ergonomic body position.  
Maintain a balanced stance at all times.

Do not operate the machine when you are tired.  
Do not operate the machine under the influence of drugs, alcohol or any medication. Be aware that medication can change your behaviour.

Keep children and visitors a safe distance from the work area.

Never reach into the machine while it is operating or running down.

Never leave a running machine unattended. Before you leave the work place switch off the machine.

Do not operate the electric tool near inflammable liquids or gases.  
Observe the fire fighting and fire alert options, for example the fire extinguisher operation and place.

Do not use the machine in a dump environment and do not expose it to rain.

Wood dust is explosive and can also represent a risk to health.

Dust form some tropical woods in particular, and from hardwoods like beach and oak, is classified as a carcinogenic substance.  
Always use a suitable dust extraction device

Before machining, remove any nails and other foreign bodies from the workpiece.

Specifications regarding the maximum or minimum size of the workpiece must be observed.

Do not force the power tool.  
It will do a better and safer job and give you much better service if it is used at the rate for which it was designed.

Do not remove chips and workpiece parts until the machine is at a complete standstill.

Never operate with the guards not in place –serious risk of injury!

Connection and repair work on the electrical installation may be carried out by a qualified electrician only

Always unwind any extension cords fully.

Damaged extension cords replace immediately.

Do not use the power tool if the ON/OFF switch does not turn the power tool ON and OFF.

Make all machine adjustments or maintenance with the machine unplugged from the power source.

Remove defective saw blades immediately.

### **3.3 Remaining hazards**

When using the machine according to regulations some remaining hazards may still exist

The moving saw blade in the work area can cause injury.

Broken saw blades can cause injuries.

Thrown workpieces can lead to injury

Wood chips and sawdust can be health hazards.

Be sure to wear personal protection gear such as safety goggles ear- and dust protection.

Use a suitable dust exhaust system.

The use of incorrect mains supply or a damaged power cord can lead to injuries caused by electricity.

## **4. Machine specifications**

### **4.1 Technical data**

Saw blade length, pin type	130mm
Blade stroke	20mm
Max cutting height at 90°	60mm
Table size	460x230mm
Table tilt	45°left/10°right
Throat	460mm
Dust port diameter (D/d)	40/36mm
Overall (LxWxH)	640x290x390mm
Weight	27 kg
Mains	230V ~1L/N/PE 50Hz
Motor power	120W
Reference current	0,7 A
Extension cord	H05VV-F 3G1mm <sup>2</sup>
Installation fuse protection	10A

#### **JSS-354**

**2 Blade speeds** 700 / 1400 spm

#### **JSS-354V**

**Variable blade speed** 400~1400 spm

### **4.2 Noise emission**

(Inspection tolerance 4 dB)

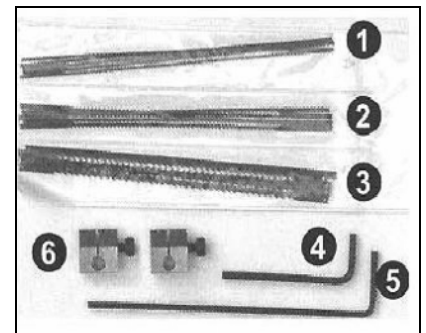
Acoustic power level  
(according EN ISO 3746):  
Idling LwA 79,2 dB(A)

Acoustic pressure level  
(according EN ISO 11202):  
Idling LpA 72,1 dB(A)

The specified values are emission levels and are not necessarily to be seen as safe operating levels. This information is intended to allow the user to make a better estimation of the hazards and risks involved.

### **4.3 Content of delivery**

- 1 Scroll saw
- 1 Transparent blade guard
- 1 Air blower
- 1 Allen key 3mm (5)
- 1 Allen key 2,5mm (4)
- 2 Blade clamps (6)
- Sets of saw blades (1-3)
- Operating manual
- Spare parts list



#### 4.4 Scroll saw description

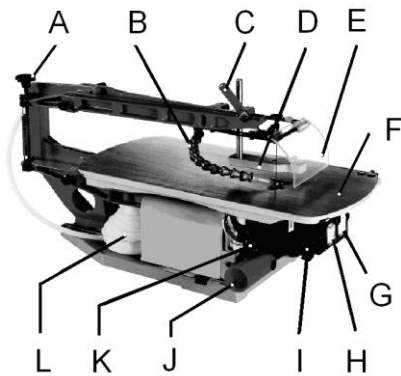


Fig 1

- A.....Blade tension knob
- B.....Sawdust blower
- C.....Quick tension lever
- D.....Work piece hold down
- E.....Saw guard
- F.....Table
- G.....ON/OFF switch
- H.....Speed select switch
- I.....Bevel lock knob
- J.....Dust connection port 36mm
- K.....Lower blade guard
- L.....Air bellow

#### 5. Transport and start up

##### 5.1 Transport and installation

Take the machine out of the packaging. Don't lift the machine on the rocking arm (M, Fig 2) only.

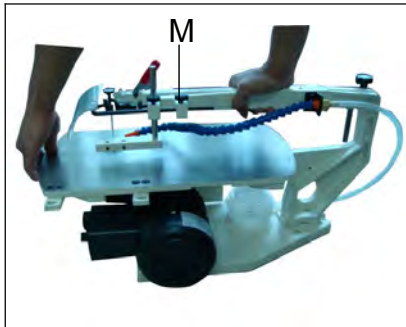


Fig 2

The machine is designed to operate in closed rooms and must be placed stable on firm and levelled surface.

The machine can be bolted to the mounting surface, by means of M8 screw.

Holes in the machine base (N, O, Fig 3) are provided.

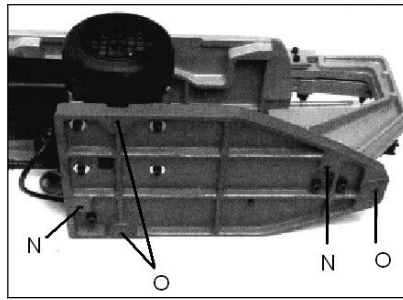


Fig 3

##### 5.2 Assembly

If you notice any transport damage while unpacking, notify your supplier immediately. Do not operate the machine!

Dispose of the packing in an environmentally friendly manner.

Clean all rust protected surfaces with a mild solvent.

##### 5.3 Dust connection

The machine has a 36mm dust port (J) where it can be connected to a dust extractor.

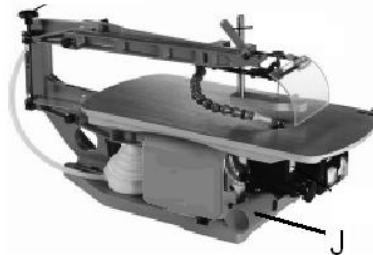


Fig 4

##### 5.4 Mains connection

Mains connection and any extension cords used must comply with applicable regulations.

The mains voltage must comply with the information on the machine licence plate.

The mains connection must have a 10A surge-proof fuse.

Only use power cords marked H05VV-F

Connections and repairs to the electrical equipment may only be carried out by qualified electricians.

##### 5.5 Starting operation

You can start the machine with the ON/ OFF button (G, Fig 1).

#### JSS-354-M:

With the rocker switch (H, Fig 1) two cutting speeds can be chosen. 700 or 1400 spm

#### JSS-354V-M:

The speed select knob (H, Fig 5) variably changes the cutting speed. 400 ~ 1400 spm

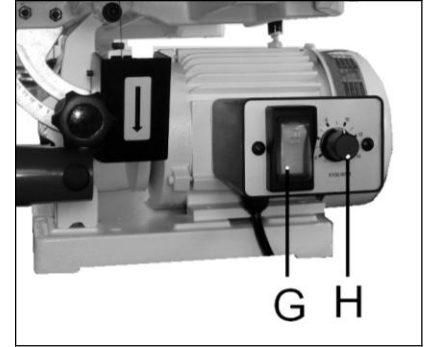


Fig 5

#### 6. Machine operation

##### Correct working position:

In front of the machine standing in the direction of cutting.

##### Workpiece handling:

Insure that the workpiece does not roll when cutting round pieces.

Use suitable table extensions and supporting aids for difficult to handle workpieces.

Never cut pieces that are too small.

Press the workpiece down against the table to avoid uncontrollable lifting.

Remove the workpiece from the blade prior to turning the scroll saw ON.

Feed the workpiece towards the sawblade in the direction of the sawline, and cut as required by turning to follow the line drawn.

Do not perform any operation freehand.

##### Attention:

Always observe the safety instructions and adhere to the current regulations.

Ensure that the transparent sawguard is lowered to the workpiece before you start sawing.

Do not reach under the scroll saw table when the motor is running.

The condition of the sawblade should be checked before each machining process.

Work only with a sharp and flawless sawblade.



### Bevel cutting:

The table can be tilted between  $-10^{\circ}$  and  $45^{\circ}$  for bevel cutting.

Loosen the locking knob (I, Fig 6).

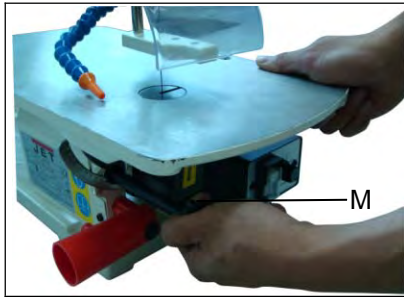


Fig 6

Tilt the table until the desired angle on the scale has been reached.

Retighten the locking knob.

### Attention:

Angle cutting requires more care. Be careful.

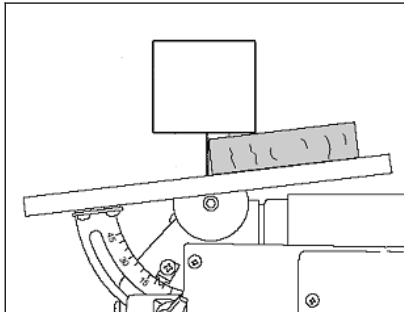


Fig 7

## 7. Setup and adjustments

### General note:

Setup and adjustment work may only be carried out after the machine is protected against accidental starting by pulling the mains plug.

### 7.1 Changing the saw blade

The machine accepts pin blades and plain end blades.

Check saw blade for flaws (cracks, broken teeth, bending) before installation. Do not use faulty sawblades.

The saw blade teeth must point in cutting direction (down)

**The saw blades may only be changed when the mains plug is pulled!**

Open the lower saw guard (K, Fig 8) and clean from chips.

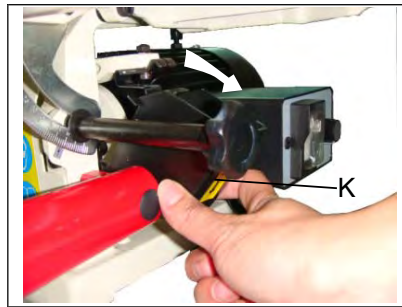


Fig 8

Loosen the quick tension lever (C, Fig 9).

Loosen the knurled screw (P).

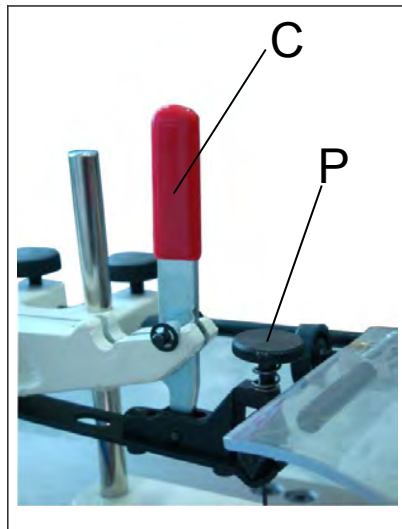


Fig 9

Take off the upper blade clamp (Fig 10).

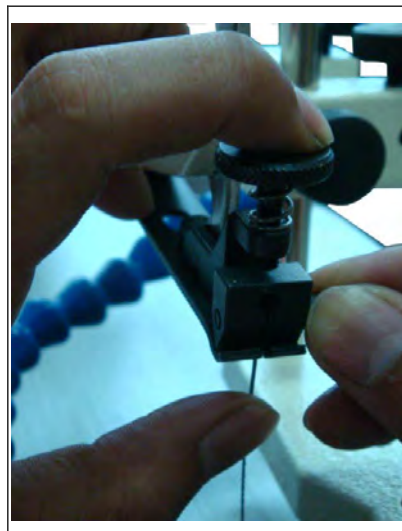


Fig 10

Remove the table insert.

Remove the saw blade together with the blade clamps (Fig 11).



Fig 11

Put the blade clamps into the pockets of the table and loosen the blade clamp screws.(Fig 12).

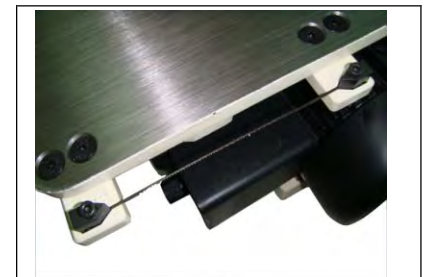


Fig 12

Replace the saw blade and tighten the blade clamp screws.

Mount the saw to the machine (Fig 13).

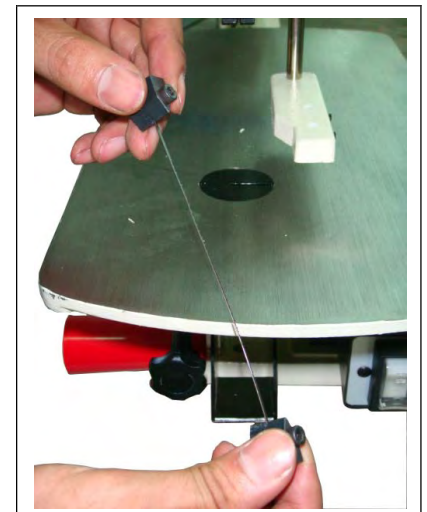


Fig 13

Tighten the knurled screw (P).

Tension the saw blade by operating the quick tension lever (C).

Mount the table insert.

Close the lower saw guard (K).

## 8. Maintenance and inspection

### General notes:

**Maintenance, cleaning and repair work may only be carried out after the machine is protected against accidental starting by pulling the mains plug.**

Repair and maintenance work on the electrical system may only be carried out by a qualified electrician.

Clean the machine regularly.

Inspect the proper function of the dust extraction daily.

All protective and safety devices must be re-attached immediately after completed cleaning, repair and maintenance work.

Defective safety devices must be replaced immediately.

### Cleaning:

Regularly clean the machine housing with a soft cloth preferably after each use.

If the dirt does not come off use a soft cloth moistened with soapy water.

Never use solvents such as petrol, alcohol, ammoniac water, etc. These solvents may damage the plastic parts.

### Saw blades:

Only use sharp saw blades.

### Lubrication:

Lubricate the arm bearings with light oil after every 50 hours of use (SAE 20).

## 9. Trouble shooting

Motor doesn't start

\*No electricity-  
check mains and fuse.

\*Defective switch, motor or cord-  
consult an electrician.

### Machine vibrates excessively

\*Stand on uneven surface-  
adjust base for even support.

### Cut is not square

\*Bevel stop setting is bad.

### Cutting surfaces is bad

\*Wrong sawblade used

\*resin collection on sawblade

\*sawblade is dull

\*sawblade damaged-  
replace sawblade immediately

\*workpiece inhomogeneous

\*Feed pressure too high-  
Do not force the workpiece.

## 10. Environmental protection

Protect the environment.

Your appliance contains valuable materials which can be recovered or recycled. Please leave it at a specialized institution.

## 11. Available accessories

### Stock number 10009939

Set of 5 saw blades 5Z"

### Stock number 10009940

Set of 5 saw blades 7Z"

### Stock number 10002151

Set of 6 saw blades with pin 10Z"

### Stock number 10002152

Set of 6 saw blades with pin 15Z"

### Stock number 10002150

Set of 6 sawblades with pin 18Z"

# DE - DEUTSCH

## Gebrauchsanleitung

Sehr geehrter Kunde,

vielen Dank für das Vertrauen, welches Sie uns beim Kauf Ihrer neuen JET-Maschine entgegengebracht haben. Diese Anleitung ist für den Inhaber und die Bediener zum Zweck einer sicheren Inbetriebnahme, Bedienung und Wartung der **Dekupiersäge JSS-354 / JSS-354V** erstellt worden. Beachten Sie bitte die Informationen dieser Gebrauchsanleitung und der beiliegenden Dokumente. Lesen Sie diese Anleitung vollständig, insbesondere die Sicherheitshinweise, bevor Sie die Maschine zusammenbauen, in Betrieb nehmen oder warten. Um eine maximale Lebensdauer und Leistungsfähigkeit Ihrer Maschinen zu erreichen befolgen Sie bitte sorgfältig die Anweisungen

### Inhaltsverzeichnis

#### 1. Konformitätserklärung

#### 2. Garantieleistungen

#### 3. Sicherheit

Bestimmungsgemäße Verwendung  
Allgemeine Sicherheitshinweise  
Restrisiken

#### 4. Maschinenspezifikation

Technische Daten  
Schallemission  
Lieferumfang  
Maschinenbeschreibung

#### 5. Transport und Inbetriebnahme

Transport und Aufstellung  
Montage  
Absaug Anschluss  
Elektrischer Anschluss  
Inbetriebnahme

#### 6. Betrieb der Maschine

#### 7. Rüst- und Einstellarbeiten

Montage des Sägeblattes

#### 8. Wartung und Inspektion

#### 9. Störungsabhilfe

#### 10. Umweltschutz

#### 11. Lieferbares Zubehör

### 1. Konformitätserklärung

Wir erklären in alleiniger Verantwortlichkeit, dass dieses Produkt mit den auf Seite 2 angegebenen Richtlinien\* übereinstimmt. Bei der Konstruktion wurden folgende Normen\*\* berücksichtigt.

### 2. Garantieleistungen

Der Verkäufer garantiert, dass das gelieferte Produkt frei von Material- und Fertigungsfehlern ist. Diese Garantie trifft nicht auf jene Defekte zu, welche auf direkten oder indirekten, nicht fachgerechten Gebrauch, Unachtsamkeit, Unfallschaden, Reparatur, mangelhafte Wartung bzw. Reinigung sowie normalen Verschleiß zurückzuführen sind.

Garantie- bzw. Gewährleistungs-Ansprüche müssen innerhalb von 12 Monaten ab dem Verkaufsdatum (Rechnungsdatum) geltend gemacht werden. Weitergehende Ansprüche sind ausgeschlossen.

Die vorliegende Garantie umfasst sämtliche Garantieverpflichtungen seitens des Verkäufers und ersetzt alle früheren Erklärungen und Vereinbarungen betreffend Garantien.

Die Garantiefrist gilt für eine tägliche Betriebszeit von 8 Stunden. Wird diese überschritten, so verkürzt sich die Garantiefrist proportional zur Überschreitung, jedoch höchstens auf 3 Monate.

Die Rücksendung beanstandeter Ware bedarf der ausdrücklichen vorherigen Zustimmung vom Verkäufer und geht auf Kosten und Gefahr des Käufers.

Die ausführlichen Garantieleistungen sind den Allgemeinen Geschäftsbedingungen (AGB) zu entnehmen. Die AGB sind unter [www.jettools.com](http://www.jettools.com) einzusehen oder werden auf Anfrage per Post zugestellt.

Der Verkäufer behält sich das Recht vor, jederzeit Änderungen am Produkt und Zubehör vorzunehmen.

### 3. Sicherheit

#### 3.1 Bestimmungsgemäße Verwendung

Die Maschine ist geeignet zum Sägen von Holz und Holzersatzstoffen, sowie diesen ähnlich zu bearbeitende harte Kunststoffe.

Die Bearbeitung anderer Werkstoffe ist nicht zulässig bzw. darf in Sonderfällen nur nach Rücksprache mit dem Maschinenhersteller erfolgen.

Es dürfen nur Werkstücke bearbeitet werden welche sicher aufgelegt und geführt werden können.

Die bestimmungsgemäße Verwendung beinhaltet auch die Einhaltung der vom Hersteller angegebenen Betriebs- und Wartungsanweisungen. Die Maschine darf ausschließlich von Personen bedient werden, die mit Betrieb und Wartung vertraut und über die Gefahren unterrichtet sind. Das gesetzliche Mindestalter ist einzuhalten.

Die Maschine nur in technisch einwandfreiem Zustand benutzen.

Beim Arbeiten an der Maschine müssen sämtliche Schutzeinrichtungen und Abdeckungen montiert sein.

Neben den in der Gebrauchsanleitung enthaltenen Sicherheitshinweisen und den besonderen Vorschriften Ihres Landes sind die für den Betrieb von Holzbearbeitungsmaschinen allgemein anerkannten fachtechnischen Regeln zu beachten.

Jeder darüber hinaus gehende Gebrauch gilt als nicht bestimmungsgemäß und für daraus resultierende Schäden haftet der Hersteller nicht. Das Risiko trägt allein der Benutzer.



### 3.2 Allgemeine Sicherheitshinweise

Holzbearbeitungsmaschinen können bei unsachgemäßem Gebrauch gefährlich sein. Deshalb ist zum sicheren Betreiben die Beachtung der zutreffenden Unfallverhütungs-Vorschriften und der nachfolgenden Hinweise erforderlich.

Lesen und verstehen Sie die komplette Gebrauchsanleitung bevor Sie mit Montage oder Betrieb der Maschine beginnen.

Bewahren Sie die Bedienungsanleitung, geschützt vor Schmutz und Feuchtigkeit, bei der Maschine auf, und geben Sie sie an einen neuen Eigentümer weiter.

An der Maschine dürfen keine Veränderungen, An- und Umbauten vorgenommen werden.

Festgestellte Mängel an der Maschine oder den Sicherheitseinrichtungen sind zu melden und von den beauftragten Personen zu beheben. Nehmen Sie die Maschine in solchen Fällen nicht in Betrieb, sichern Sie die Maschine gegen Einschalten durch Ziehen des Netzsteckers.

Zum Schutz von langem Kopfhair Mütze oder Haarnetz aufsetzen.

Enganliegende Kleidung tragen, Schmuck, Ringe und Armbanduhren ablegen.

Tragen Sie Schutzschuhe, keinesfalls Freizeitschuhe oder Sandalen.

Verwenden Sie die durch Vorschriften geforderte persönliche Schutzausrüstung  
-Augenschutz  
-Gehörschutz.

#### Verwenden Sie immer eine Schutzbrille.

Beim Arbeiten an der Maschine muss die durchsichtige Sägeschutzhaube auf das Werkstück abgesenkt sein.

Beim Sägen von Rundholz das Werkstück gegen Verdrehen sichern.

Beim Sägen von unhandlichen Werkstücken geeignete Hilfsmittel zum Abstützen verwenden.

Zu kleine Werkstücke nicht schneiden.

Es ist darauf zu achten dass alle Werkstücke beim Bearbeiten sicher gehalten und sicher geführt werden.

### Sägen Sie niemals aus der freien Hand.

Abgesägte, eingeklemmte Werkstücke nur bei ausgeschaltetem Motor und Stillstand des Sägeblattes entfernen.

Bei laufendem Motor niemals unter den Maschinentisch greifen.

Die Maschine so aufstellen, dass genügend Platz zum Bedienen und zum Führen der Werkstücke gegeben ist.

Sorgen Sie für gute Beleuchtung.

Achten Sie darauf, dass die Maschine standsicher auf festem und ebenem Grund steht.

Beachten Sie dass die elektrische Zuleitung nicht den Arbeitsablauf behindert und nicht zur Stolperstelle wird.

Den Arbeitsplatz frei von behindernden Werkstücken, etc. halten.

Seien Sie aufmerksam und konzentriert. Gehen Sie mit Vernunft an die Arbeit.

Achten Sie auf ergonomische Körperhaltung. Sorgen Sie für sicheren Stand und halten Sie jederzeit das Gleichgewicht.

Arbeiten Sie niemals unter dem Einfluss von Rauschmitteln wie Alkohol und Drogen an der Maschine. Beachten Sie, dass auch Medikamente Einfluss auf Ihr Verhalten nehmen können.

Halten Sie Unbeteiligte, insbesondere Kinder vom Gefahrenbereich fern.

Niemals in die laufende Maschine greifen.

Die laufende Maschine nie unbeaufsichtigt lassen. Vor dem Verlassen des Arbeitsplatzes die Maschine ausschalten.

Benützen Sie die Maschine nicht in der Nähe von brennbaren Flüssigkeiten oder Gasen.

Beachten Sie die Brandmelde- und Brandbekämpfungsmöglichkeiten z.B. Standort und Bedienung von Feuerlöschern.

Benützen Sie die Maschine nicht in feuchter Umgebung und setzen Sie sie nicht dem Regen aus.

Achten Sie stets darauf, dass keine zu große Staubkonzentration entsteht – verwenden Sie stets eine geeignete Absauganlage Holzstaub ist explosiv und kann gesundheitsschädigend sein.

Vor der Bearbeitung Nägel und andere Fremdkörper aus dem Werkstück entfernen.

Angaben über die min. und max. Werkstückabmessungen müssen eingehalten werden.

Die Maschine nicht überfordern. Sie arbeitet viel besser und hält länger, wenn sie der Leistung entsprechend eingesetzt wird.

Späne und Werkstückteile nur bei stehender Maschine entfernen.

Nicht auf der Maschine stehen.

Die Maschine nie bei entfernten Schutzeinrichtungen in Betrieb nehmen – große Verletzungsgefahr!

Arbeiten an der elektrischen Ausrüstung der Maschine dürfen nur durch eine Elektrofachkraft vorgenommen werden.

Verlängerungskabel immer ganz von der Trommel abwickeln.

Tauschen Sie ein beschädigtes Verlängerungskabel sofort aus.

Niemals Elektrowerkzeug benutzen, wenn der Ein-Ausschalter nicht ordnungsgemäß funktioniert.

Umrüst-, Einstell- und Reinigungsarbeiten nur im Maschinenstillstand und bei gezogener Netzstecker vornehmen.

Schadhafte Sägeblätter sofort ersetzen.

### 3.3 Restrisiken

Auch bei vorschriftsmäßiger Benutzung der Maschine bestehen die nachfolgend aufgeführten Restrisiken:

Verletzungsgefahr durch das frei laufende Sägeblatt im Arbeitsbereich.

Gefährdung durch Bruch des Sägeblattes.

Gefährdung durch wegfliegende Werkstückteile.

Gefährdung durch Lärm und Staub. Unbedingt persönliche Schutzausrüstung wie Augen-Gehör- und Staubschutz tragen. Eine geeignete Absauganlage einsetzen!

Gefährdung durch Strom bei nicht ordnungsgemäßer Verkabelung.

#### 4. Maschinenspezifikation

##### 4.1 Technische Daten

Sägeblattlänge 130mm  
 Sägeblatthub 20mm  
 Max Schnitthöhe bei 90° 60mm  
 Tischgröße 460x230mm  
 Tischschwenkbereich 45°links / 10° rechts  
 Ausladung 460mm  
 Absauganschluss (D/d) 40/36mm

Abmessung (LxBxH) 640x290x390mm  
 Maschinengewicht 27 kg

Netzanschluss 230V ~1L/N/PE 50Hz  
 Aufnahmeleistung 120W  
 Betriebsstrom 0,7 A  
 Anschlussleitung H05VV-F 3G1mm<sup>2</sup>  
 Bauseitige Absicherung 10A

##### JSS-354

2 Hubzahlen 700 / 1400 U/min

##### JSS-354V

Hubzahl stufenlos regelbar 400~1400 /min

##### 4.2 Schallemission

(Messunsicherheitsfaktor 4 dB)

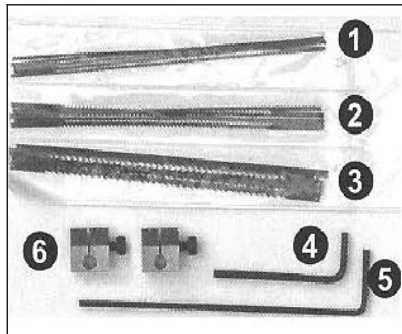
Schalleistungspegel (nach EN ISO 3746):  
 Leerlauf LwA 79,8dB(A)

Schalldruckpegel (nach EN ISO 11202):  
 Leerlauf LpA 73,1dB(A)

Die angegebenen Werte sind Emissionspegel und sind nicht notwendigerweise Pegel für sicheres Arbeiten. Sie sollen dem Anwender der Maschine eine bessere Abschätzung der Gefährdung und des Risikos ermöglichen.

##### 4.3 Lieferumfang

- 1 Dekupiersäge
- 1 durchsichtige Sägeschutzhaube
- 1 Staubblssystem
- 1 Innensechskantschlüssel 3mm (5)
- 1 Innensechskantschlüssel 2,5mm (4)
- 2 Sägeblatt-Klemmhalter (6)
- Set von Sägeblättern (1~3)
- Gebrauchsanleitung
- Ersatzteilliste



##### 4.4 Beschreibung der Maschine

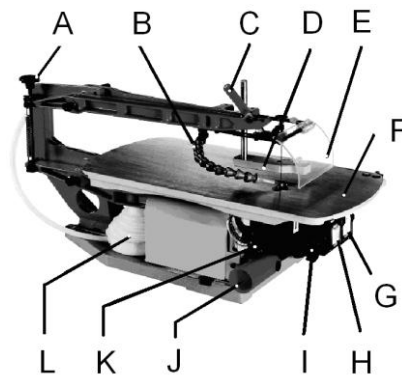


Fig 1

- A.....Blattspannhebel
- B.....Staubblasrohr
- C.....Schnellspannhebel
- D.....Werkstück Niederhalter
- E.....Sägeschutzhaube
- F.....Arbeitstisch
- G.....EIN/AUS Schalter
- H.....Geschwindigkeits-Wahlschalter
- I..... Schwenkklemmung
- J..... Absaug Anschluss d=36mm
- K.....Untere Sägeblattabdeckung
- L.....Blasebalg

#### 5. Transport und Inbetriebnahme

##### 5.1. Transport und Aufstellung

Heben Sie die Maschine aus der Verpackung, dabei darauf achten, dass Sie die Maschine nicht nur am Arm (M, Fig 2) anheben.

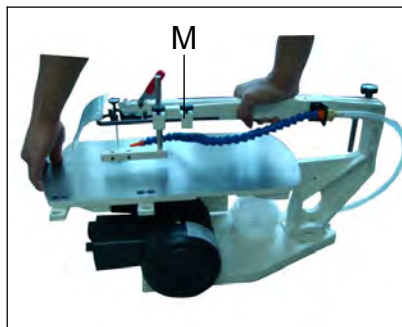


Fig 2

Die Aufstellfläche muss ausreichend eben und belastungsfähig sein.

Die Maschine kann bei Bedarf mittels M8 Schrauben festgeschraubt werden. Im Maschinensockel befinden sich entsprechende Bohrungen (N, O, Fig 3).

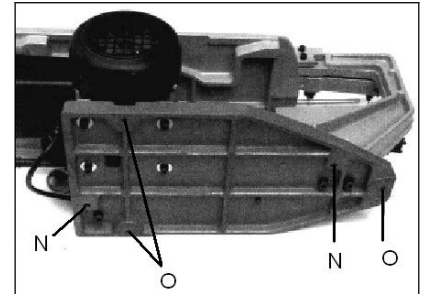


Fig 3

##### 5.2 Montage

Wenn Sie beim Auspacken einen Transportschaden feststellen, benachrichtigen Sie umgehend Ihren Händler, nehmen Sie das Gerät nicht in Betrieb.

Entsorgen Sie die Verpackung bitte umweltgerecht.

Entfernen Sie das Rostschutzfett mit einem milden Lösungsmittel.

##### 5.3 Absaug Anschluss

Die Maschine kann am 36mm Absaugstutzen (J) an eine Absauganlage angeschlossen werden.

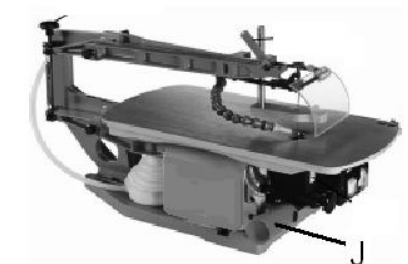


Fig 4

##### 5.4 Elektrischer Anschluss

Der kundenseitige Netzanschluss sowie die verwendeten Verlängerungsleitungen müssen den Vorschriften entsprechen.

Die Netzspannung und Frequenz müssen mit den Leistungsschilddaten an der Maschine übereinstimmen.

Die bauliche Absicherung muss 10A betragen.

Verwenden Sie nur Anschlussleitungen mit Kennzeichnung H05VV-F.

Anschlüsse und Reparaturen der elektrischen Ausrüstung dürfen nur von einer Elektrofachkraft durchgeführt werden.

## 5.5 Inbetriebnahme

Die Maschine kann mit dem EIN/AUS Schalter (G, Fig 1) gestartet werden.

### JSS-354-M:

Mit dem Geschwindigkeits-Wahlschalter (H, Fig 1) können zwei Hubzahlen gewählt werden. 700 oder 1400 U/min.

### JSS-354V-M:

Mit dem Geschwindigkeitsregler (H, Fig 5) kann die Hubzahl stufenlos eingestellt werden. 400 ~ 1400 U/min

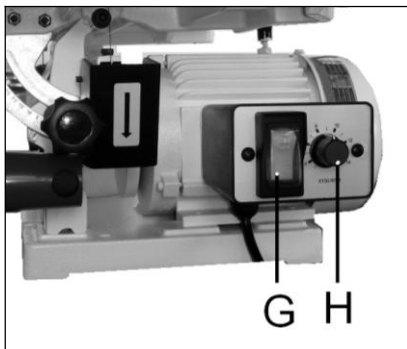


Fig 5

## 6. Betrieb der Maschine

### Richtige Arbeitsstellung:

Vor der Maschinen in Schnittrichtung stehend.

### Werkstückhandhabung:

Beim Sägen von Rundholz das Werkstück gegen Verdrehen sichern.

Beim Sägen von unhandlichen Werkstücken geeignete Hilfsmittel zum Abstützen verwenden.

Kleine Werkstücke nicht von Hand zuführen.

Drücken Sie das Werkstück bei der Bearbeitung fest auf den Maschinentisch, vermeiden Sie unkontrolliertes Abheben.

Entfernen Sie das Werkstück vom Sägeblatt bevor Sie die Maschine starten.

Werkstück langsam in Richtung des angezeigten Risses dem Sägeblatt zuführen und durch Drehen den Schnittverlauf nach Riss bestimmen.

Sägen Sie niemals aus der freien Hand.

### Achtung:

Berücksichtigen Sie immer die Sicherheitsanweisungen und halten Sie sich an die geltenden Vorschriften.

Gewährleisten Sie, dass die Sägeschutzhaube in der richtigen Position steht, bevor Sie mit dem Sägen beginnen.

Bei laufendem Motor niemals unter den Maschinentisch greifen.

Kontrollieren Sie vor jeder Bearbeitung zuerst den Zustand des Sägeblattes.

Nur mit scharfem fehlerfreiem Sägeblatt arbeiten!

### Schrägschnitt:

Der Tisch kann in einem Winkel von  $-10^\circ$  bis  $+45^\circ$  schräggestellt werden.

Schwenkklemmung (I, Fig 6) lösen.

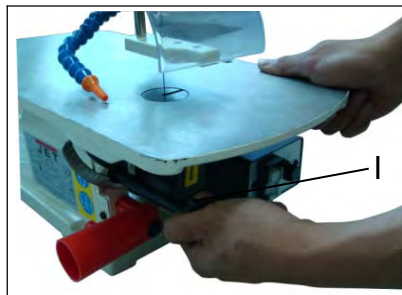


Fig 6

Schwenken Sie den Tisch entsprechend der Skala.

Schwenkklemmung wieder festziehen.

### Achtung:

Bei Schrägschnitten kann sich das Sägeblatt leicht verklemmen. Seien Sie vorsichtig!

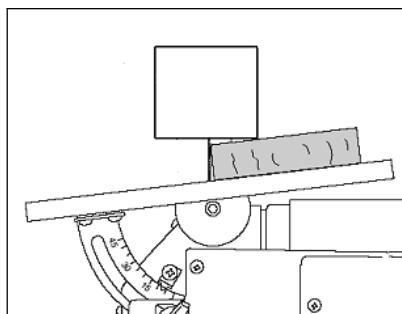


Fig 7

## 7. Rüst- und Einstellarbeiten

### Allgemeine Hinweise:

**Vor Rüst- und Einstellarbeiten muss die Maschine gegen Inbetriebnahme gesichert werden. Netzstecker ziehen.**

### 7.1 Wechsel des Sägeblattes

Es können Sägeblätter mit und ohne Stifte verwendet werden.

Das Sägeblatt vor dem Auflegen auf Fehler überprüfen (Risse, schadhafte Zähne, Verbiegung). Fehlerhafte Sägeblätter nicht verwenden.

Achten Sie darauf, dass die Zähne des Sägeblattes in Schnittrichtung (abwärts) zeigen.

**Der Sägeblattwechsel darf nur bei gezogenem Netzstecker erfolgen.**

Untere Sägeblattabdeckung (K, Fig 8) nach unten kippen und von Spänen reinigen.

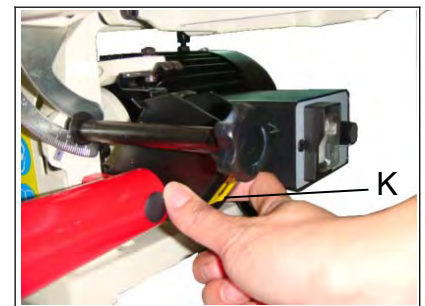
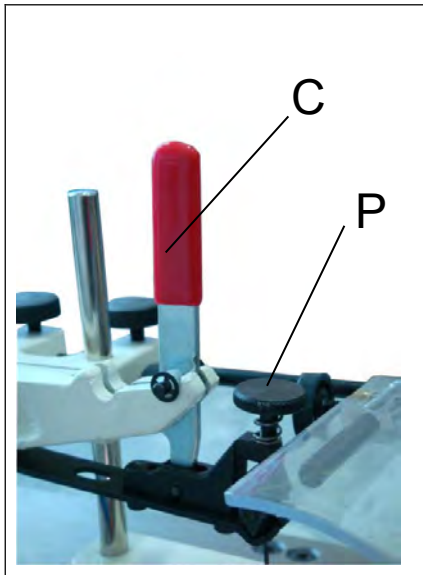


Fig 8

Den Schnellspannhebel (C, Fig 9) lösen.

Die Rändelschraube (P) lösen.





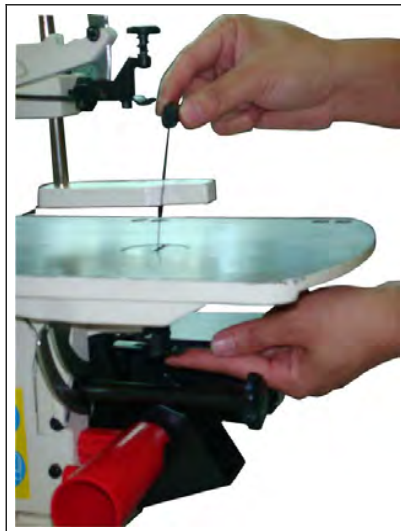
**Fig 9**

Die Tischeinlage entfernen.  
Den Sägeblatt-Klemmhalter entnehmen (Fig 10).



**Fig 10**

Das Sägeblatt gemeinsam mit den Klemmhaltern entfernen (Fig 11).



**Fig 11**

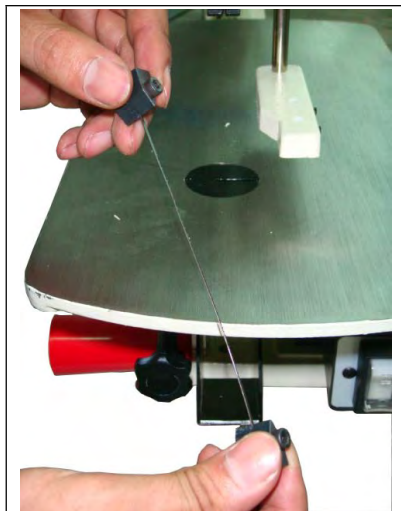
Die Klemmhalter in die Tischeinlagen legen und die Klemmschrauben lösen (Fig 12).



**Fig 12**

Das neue Sägeblatt in den Klemmhaltern festklemmen .

Das Sägeblatt mit den montierten Klemmhaltern montieren (Fig 13).



**Fig 13**

Die Tischeinlage montieren.

Die Rändelschraube (P) spannen.

Den Schnellspannhebel (C) spannen.

Die untere Sägeblattabdeckung (K) wieder richtig positionieren.

## 8. Wartung und Inspektion

**Allgemeine Hinweise:**  
Vor Wartungs- Reinigungs- und Reparaturarbeiten muss die Maschine gegen Inbetriebnahme gesichert werden.  
**Netzstecker ziehen!**

Anschlüsse und Reparaturen der elektrischen Ausrüstung dürfen nur von einer Elektrofachkraft durchgeführt werden.

Reinigen Sie die Maschine in regelmäßigen Zeitabständen.

Prüfen Sie täglich die ausreichende Funktion der Absaugung.

Nach Wartungs- Reinigungs- und Reparaturarbeiten alle Schutz- und Sicherheitsvorrichtungen sofort wieder anbringen.

Ersetzen Sie beschädigte Schutzvorrichtungen sofort.

### Reinigung:

Reinigen Sie das Maschinengehäuse regelmäßig mit einem weichen Tuch, vorzugsweise nach jedem Einsatz.

Entfernen Sie hartnäckigen Schmutz mit einem weichen, mit Seifenwasser angefeuchteten Tuch.

Verwenden Sie keine Lösungsmittel wie Benzin, Alkohol, Ammoniak usw. Derartige Stoffe beschädigen die Kunststoffteile.

### Sägeblätter:

Verwenden Sie nur ausreichend geschärfte Sägeblätter.

### Schmierung:

Schmieren Sie die Armlager alle 50 Betriebsstunden mit leichtem Öl (SAE 20).

## 9. Störungsabhilfe

### Motor startet nicht

\*Kein Strom-Zuleitung und Sicherung prüfen.

\*Motor, Schalter oder Kabel defekt-Elektrofachkraft kontaktieren.

### Starke Maschinenvibrationen

\*Maschine steht uneben-Ausgleich schaffen.

**Schnittwinkel nicht 90°**

\*Schwenkansschlag falsch eingestellt

**Schnittbild ist schlecht**

\*Falsches Sägeblatt gewählt

\*verharztes Sägeblatt

\*Sägeblatt stumpf

\*Sägeblatt beschädigt-  
Sägeblatt sofort ersetzen.

\*Werkstück inhomogen

\*Vorschubdruck zu hoch-  
Bearbeitung nie erzwingen.

**10. Umweltschutz**

Schützen Sie die Umwelt!

Ihr Gerät enthält mehrere  
unterschiedliche , wieder  
verwertbare Werkstoffe.  
Bitte entsorgen Sie es nur an einer  
spezialisierten Entsorgungsstelle.

**11. Lieferbares Zubehör**

**Artikel Nummer 10009939**

5 Sägeblätter 5Z/“

**Artikel Nummer 10009940**

5 Sägeblätter 7Z/“

**Artikel Nummer 10002151**

6 Sägeblätter mit Stift 10Z/“

**Artikel Nummer 10002152**

6 Sägeblätter mit Stift 15Z/“

**Artikel Nummer 10002150**

6 Sägeblätter mit Stift 18Z/“



# FR - FRANCAIS

## Mode d'emploi

Cher client,

Nous vous remercions de la confiance que vous nous portez avec l'achat de votre nouvelle machine JET. Ce manuel a été préparé pour l'opérateur de la **scie à chantourner JET JSS-354 / JSS-354V**. Son but, mis à part le fonctionnement de la machine, est de contribuer à la sécurité par l'application des procédés corrects d'utilisation et de maintenance. Avant de mettre l'appareil en marche, lire les consignes de sécurité et de maintenance dans leur intégralité. Pour obtenir une longévité et fiabilité maximales de votre scie, et pour contribuer à l'usage sûr de la machine, veuillez lire attentivement ce mode d'emploi et suivre les instructions.

### Table des Matières

#### 1. Déclaration de conformité

#### 2. Prestations de garantie

#### 3. Sécurité

Utilisation conforme  
Consignes de sécurité  
Risques

#### 4. Spécifications

Indications techniques  
Emission de bruit  
Contenu de la livraison  
Description de la machine

#### 5. Transport et montage

Transport  
Montage  
Racc. collecteur de poussières  
Raccordement au réseau électr.  
Mise en exploitation

#### 6. Fonctionnement de la machine

#### 7. Réglages

Montage de la lame

#### 8. Entretien et inspection

#### 9. Détecteur de pannes

#### 10. Protection de l'environnement

#### 11. Accessoires

### 1. Déclaration de conformité

Par le présent et sous notre responsabilité exclusive, nous déclarons que ce produit satisfait aux normes conformément aux lignes directrices indiquées page 2.

### 2. Prestations de garantie

Le vendeur garantit que le produit livré est exempt de défauts de matériel et de fabrication. La présente garantie ne s'applique pas aux défauts résultant d'une utilisation incorrecte directe ou indirecte, de l'inattention, d'un accident, d'une réparation, d'une maintenance ou d'un nettoyage insuffisant, ou encore de l'usure normale.

Il est possible de faire valoir des prétentions en garantie dans les 12 mois suivant la date de la vente (date de la facture). Toute autre prétention est exclue.

La présente garantie comprend toutes les obligations de garantie incombant au vendeur et remplace toutes les déclarations et conventions antérieures en termes de garanties.

Le délai de garantie s'applique pour une durée d'exploitation de huit heures par jour. Au-delà, le délai de garantie diminue proportionnellement au dépassement, mais pas en deçà de trois mois.

Le renvoi d'une marchandise faisant l'objet d'une réclamation requiert l'accord préalable exprès du vendeur et s'effectue aux frais et aux risques de l'acheteur.

Les prestations de garantie détaillées figurent dans les Conditions générales (CG). Ces dernières sont disponibles sur [www.jettools.com](http://www.jettools.com) où peuvent être envoyées par la poste sur demande.

Le vendeur se réserve le droit de modifier à tout moment le produit et les accessoires.

### 3. Sécurité

#### 3.1 Utilisation conforme

Cette scie convient au sciage du bois et des dérivés du bois ainsi qu'aux caoutchoucs d'une dureté similaire.

Le travail d'autres matériaux est interdit et ne peut être effectué que dans des cas spéciaux et après accord du fabricant de la machine.

La pièce doit pouvoir être posée et guidée sans problème.

L'utilisation conforme implique le strict respect des instructions de service et de maintenance indiquées dans ce manuel.

La machine doit être utilisée exclusivement par des personnes familiarisées avec le fonctionnement, la maintenance et la remise en état, et qui sont informées des dangers correspondants.

L'âge requis par la loi est à respecter.

La machine ne doit être utilisée que si elle est en parfait état et munie de ses dispositifs de sécurité

Toutes les directives relatives à la prévention des accidents ainsi que les consignes de sécurité doivent être scrupuleusement respectées.

En cas d'utilisation non-conforme de la machine, le fabricant décline toute responsabilité, qui est en tel cas rejetée exclusivement sur l'utilisateur.

#### 3.2 Consignes de sécurité

L'utilisation non-conforme d'une scie peut être très dangereuse. C'est pourquoi vous devez lire attentivement ce mode d'emploi avant de monter ou d'utiliser votre appareil.

Conserver à proximité de la machine tous les documents fournis avec l'outillage (dans une pochette en plastique, à l'abri de la poussière, de l'huile et de l'humidité) et veiller à joindre cette documentation si vous cédez l'appareil.

Ne pas effectuer de modifications à la machine. Utiliser les accessoires recommandés, des accessoires incorrects peuvent être dangereux.

Contrôler chaque jour avant d'utiliser la machine, les dispositifs de protection et le fonctionnement impeccable.

En cas de défauts à la machine ou aux dispositifs de protection avertir les personnes compétentes et ne pas utiliser la machine. Déconnecter la machine du réseau.

Avant de mettre la machine en marche, retirer cravate, bagues, montre ou autres bijoux et retrousser les manches jusqu'aux coudes.

Enlever tous vêtements flottants et nouer les cheveux longs.

Porter des chaussures de sécurité, surtout pas de tenue de loisirs ou de sandales.

Porter un équipement de sécurité personnel pour travailler à la machine :

- des lunettes protectrices,
- une protection acoustique.

### **Toujours porter des lunettes protectrices.**

Ne travailler sur la machine que si le protecteur de scie transparent est abaissé sur la pièce à usiner.

Pour le sciage de bois ronds s'assurer que la pièce ne pourra pas tourner.

Pour le sciage de pièces difficiles à manœuvrer, utiliser un support.

Ne pas usiner des pièces trop petites.

Bien tenir et guider les pièces pendant le travail.

### **Ne jamais scier en tenant la pièce seulement dans la main.**

Ne pas enlever les copeaux et les pièces usinées avant que la machine ne soit à l'arrêt.

Ne jamais mettre la main sous la table de travail lorsque le moteur est en marche.

Placer la machine de sorte à laisser un espace suffisant pour la manœuvre et le guidage des pièces à usiner.

Veiller à un éclairage suffisant.

Placer la machine sur un sol stable et plat.

S'assurer que le câble d'alimentation ne gêne pas le travail ni ne risque de faire trébucher l'opérateur.

Conserver le sol autour de la machine propre, sans déchets, huile ou graisse.

Prêter grande attention à votre travail et rester concentré.

Eviter toute position corporelle anormale.

Veiller à une position stable et garder un bon équilibre à tout moment.

Ne pas travailler sous l'influence de drogues, d'alcool ou de médicaments.

Eloigner de la machine toutes personnes incompetentes, surtout les enfants.

Ne jamais mettre la main dans la machine pendant le travail.

Ne jamais laisser la machine en marche sans surveillance. Arrêter la machine avant de quitter la zone de travail.

Ne pas mettre la machine à proximité de liquides ou de gaz inflammables. Respecter les consignes de lutte contre les incendies, par ex le lieu et l'utilisation des extincteurs.

Préserver la machine de l'humidité et ne jamais l'exposer à la pluie.

Utiliser un collecteur de poussières afin d'éviter une production de poussières trop élevée.

La poussière de bois est explosive et peut être nocive pour la santé.

Retirer les clous et autres corps étrangers de la pièce avant de débiter l'usinage.

Se tenir aux spécifications concernant la dimension maximale ou minimale de la pièce à usiner.

Ne pas faire forcer le moteur. Votre scie vous rendra de meilleurs services et donnera de meilleurs résultats, sans nuire à la sécurité, si elle est utilisée selon la fréquence pour laquelle elle a été conçue.

Ne pas enlever les copeaux et les pièces usinées avant que la machine ne soit à l'arrêt.

Ne jamais se mettre sur la machine.

Ne jamais mettre la machine en service sans les dispositifs de protection – risque de blessures graves!

Tous travaux de branchement et de réparation sur l'installation électrique doivent être exécutés uniquement par un électricien qualifié.

Toujours dérouler entièrement les rallonges.

Remplacer immédiatement tout câble endommagé ou usé.

Ne jamais utiliser de machines électriques dont l'interrupteur marche/arrêt est défectueux.

Faire tous les travaux de réglage ou de maintenance seulement après avoir débranché la machine du réseau.

Remplacer immédiatement une lame endommagée.

### **3.3 Risques**

Même en respectant les directives et les consignes de sécurité les risques suivants existent.

Danger de blessures par une lame en travaillant sans dispositif de protection.

Danger par rupture de la lame.

Danger de pièces éjectées.

Risque de nuisance par poussières de bois, copeaux et bruit.

Porter équipements de sécurité personnels tels que lunettes, cache-visage pour travailler à la machine. Utiliser un collecteur de poussières!

Danger par câble électrique endommagé, usé ou mal branché.

## **4. Spécifications**

### **4.1 Indications techniques**

Longueur de lame	130mm
Course de lame	20mm
Hauteur max de coupe à 90°	60mm
Dimension de table	460x230mm
Inclinaison de table	45° à gauche/10° à droite
Longueur max de pièce	460mm
Ouverture d'aspiration (D/d)	40/36mm
Dimension (LxIxh)	640x290x390mm
Poids net	27 kg
Voltage	230V ~1L/N/PE 50Hz
Puissance	120W
Courant électrique	0,7 A
Raccordement	H05VV-F 3G1mm <sup>2</sup>
Fusible du secteur électr.	10A

### **JSS-354**

2 Vitesses de lame 700 / 1400 T/min

### **JSS-354V**

Vitesse de lame 400~1400 T/min

### **4.2 Emission de bruit**

(Incertitude de mesure 4 dB)

Puissance sonore (selon EN ISO 3746):  
Marche à vide L<sub>WA</sub> 79,8 dB(A)

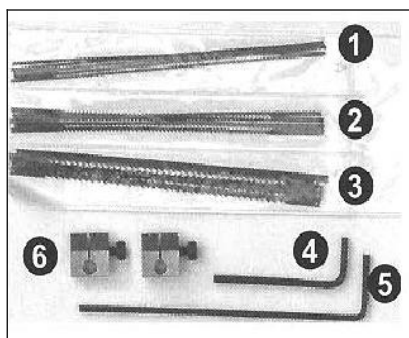
Niveau de pression sonore (selon EN ISO 11202):  
Marche à vide L<sub>pA</sub> 73,1 dB(A)

Les indications données sont des niveaux de bruit et ne sont pas forcément les niveaux pour un travail sûr.

Cette information est tout de même importante, ainsi l'utilisateur peut estimer les dangers et les risques possibles.

#### 4.3 Contenu de la livraison

- 1 Scie à chantourner
- 1 Protecteur de scie transparent
- 1 Système de soufflage de poussières
- 1 Clé pour vis à 6 pans creux 3mm (5)
- 1 Clé pour vis à 6 pans creux 2,5mm (4)
- 2 Serres-lames (6)
- Jeu de lames de scie (1-3)
- Mode d'emploi
- Liste pièces de rechange



#### 4.4 Description de la machine

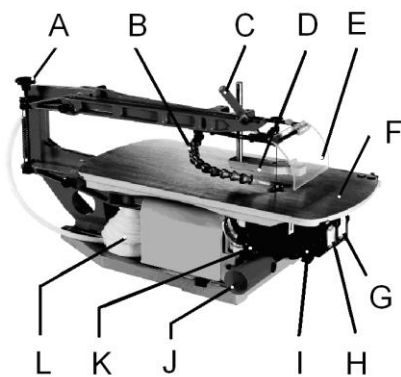


Fig 1

- A....Levier de tension de lame
- B.....Tuyau de soufflage poussières
- C.....Levier de serrage
- D.....Support-pièce
- E.....Protecteur de scie
- F.....Table de travail
- G.....Interrupteur marche/arrêt
- H.....Bouton de la vitesse
- I.....Poignée tournante
- J.....Raccordement buse d'aspiration 36mm
- K.....Couverture inférieure de lame de scie
- L.....Soufflet

### 5. Transport et mise en exploitation

#### 5.1.Transport

Sortir la machine de son emballage, tout en veillant à ne pas la soulever que par son bras (M, Fig 2).

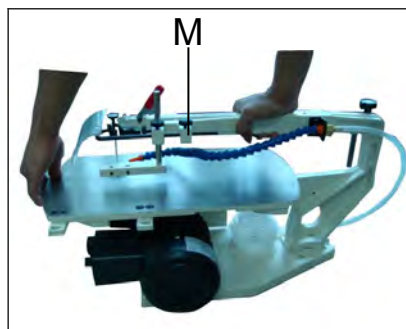


Fig 2

Placer la machine sur une surface stable et plane.

La machine peut au besoin être fixée sur son support par les vis M8 placées dans les perforations prévues à cet effet sur son socle (N, O, Fig 3).

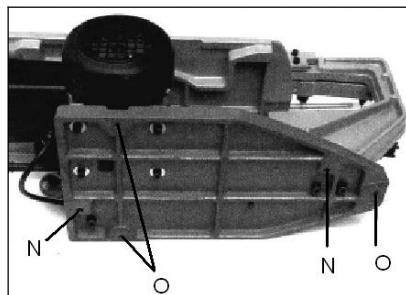


Fig 3

#### 5.2 Montage

Déballer la machine. Avertir immédiatement JET si vous constatez des pièces endommagées par le transport et ne pas monter la machine.

Eliminer l'emballage dans le respect de l'environnement.

Enlever la protection antirouille sur la table avec un dissolvant.

#### 5.3 Racc. collecteur de poussières

La machine peut être reliée par la buse d'aspiration de 36mm (J) à un dispositif d'aspiration.

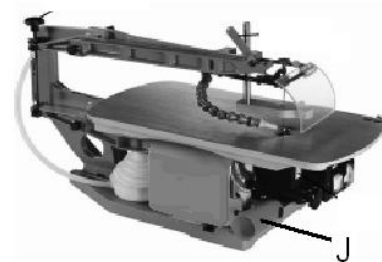


Fig 4

#### 5.4 Raccordement au réseau électr.

Le raccordement ainsi que les rallonges utilisées doivent correspondre aux instructions.

Le voltage et la fréquence doivent être conformes aux données inscrites sur la machine.

Le fusible de secteur électrique doit avoir 10A.

Pour le raccordement utiliser des câbles H05VV-F.

Tous travaux de branchement et de réparation sur l'installation électrique doivent être exécutés uniquement par un électricien qualifié.

#### 5.5 Mise en exploitation

La machine peut être mise en marche avec le bouton de marche/arrêt (G, Fig 1)

##### JSS-354-M:

Avec le bouton (H, Fig 1), deux vitesses de coupe peuvent être choisies.  
700 ou 1400 T/min

##### JSS-354V-M:

Avec le bouton (H, Fig 5) la vitesse optimale de coupe peut être réglée de 400 à 1400 T/min.

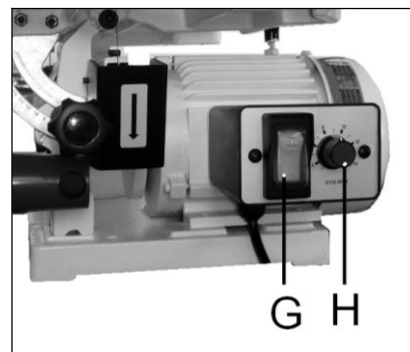


Fig 5

### 6. Fonctionnement de la machine

**Position de travail:**

Debout devant la machine en direction de la coupe.

**Manœuvre des pièces:**

Pour le sciage de bois ronds s'assurer que la pièce ne pourra pas tourner.

Pour le sciage de pièces difficiles à manœuvrer, utiliser un support.

Ne pas tenir les petites pièces à la main.

Pendant le travail, appuyer fermement la pièce sur la table de travail, éviter le soulèvement incontrôlé de la pièce.

Eloigner la pièce de la lame avant de remettre la machine en route.

Mener la pièce en direction de la coupe prévue vers la lame et guider la coupe en tournant selon le dessin.

Ne jamais scier en tenant la pièce seulement dans la main.

**Important:**

**Prendre toujours en considération les instructions de sécurité et se tenir aux règlements en vigueur.**

Veillez à ce que le carter de protection se trouve dans la position correcte, avant de commencer le sciage.

Ne jamais mettre la main sous la table de travail lorsque le moteur est en marche.

**L'état de la lame de scie doit être contrôlé avant chaque travail.**

Ne travailler qu'avec des lames bien aiguisées et en parfait état!

**Coupe en biais:**

La table peut être orientée de  $-10^\circ$  à  $45^\circ$

Desserrer la poignée tournante (I, Fig 6).

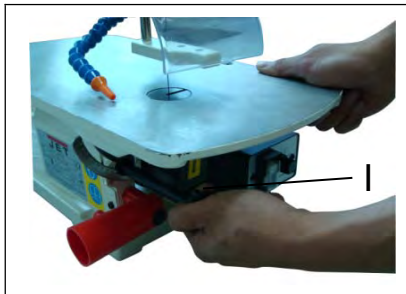


Fig 6

Faire pivoter la table selon la graduation.

Resserrer la poignée tournante.

**Attention :**

Lors de coupes en biais, la lame peut se bloquer légèrement. Soyez prudent!

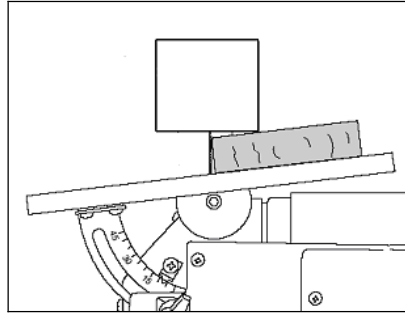


Fig 7

**7. Réglages****Attention**

Faire tous les travaux de maintenance ou de réglage après avoir débranché la machine du réseau.

**7.1 Changement de lame**

Il est possible d'utiliser des lames avec ou sans tiges.

Contrôler la lame de scie avant le montage (déchirure, dents endommagées, déformation). Ne pas utiliser une lame de scie endommagée.

Monter la lame de scie avec les dents en direction de la coupe (vers le bas).

**Ne procéder au changement de lame qu'après avoir déconnecté la machine du réseau.**

Faire basculer le carter inférieur de protection de la lame vers le bas et retirer les copeaux (K, Fig 8).

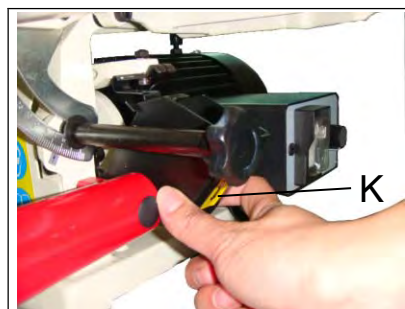


Fig 8

Dévisser le levier de serrage (C, Fig 9).

Dévisser la vis moletée (P).

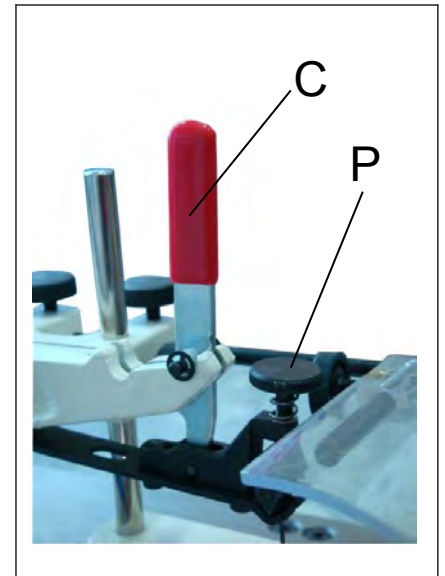


Fig 9

Retirer la serre-lame (Fig 10).



Fig 10

Éliminer la lame avec les serres-lames (Fig 11).



Fig 11

Poser les serre-lames dans les logements de table et desserrer les vis à tête plate (Fig 12).



Fig 12

Fixer la nouvelle lame de scie dans les serres lames.

Remonter la lame avec la serre lame (Fig 13).

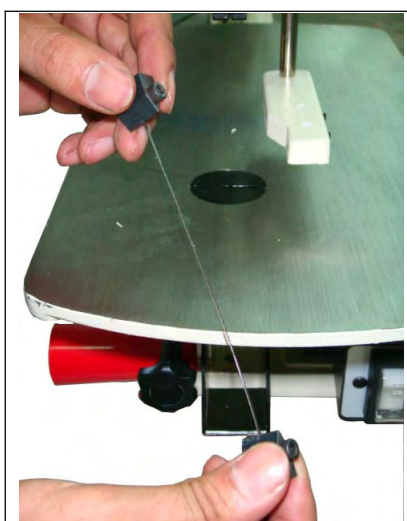


Fig 13

Serrer la vis moletée (P).

Serrer le levier de serrage (C).

Remettre le carter de protection en place (K).

## 8. Entretien et inspection

### Attention:

Faire tous les travaux de maintenance, réglage ou nettoyage après avoir débranché la machine du réseau!

Tous les travaux de branchement et de réparation sur l'installation électrique doivent être exécutés uniquement par un électricien qualifié.

Nettoyer la machine régulièrement.

Vérifier chaque jour le fonctionnement impeccable du collecteur de poussières.

Réinstaller immédiatement les dispositifs de protection.

Remplacer immédiatement les dispositifs de protection endommagés.

### Nettoyage:

Nettoyer régulièrement le carter au moyen d'un chiffon doux, de préférence à l'issue de chaque utilisation

Nettoyer les saletés tenaces avec un chiffon doux légèrement imbibé d'eau savonneuse.

Ne pas utiliser de dissolvants tels qu'essence, alcool, ammoniaque etc. Ceux-ci peuvent détériorer les parties en matière plastique.

### Lames de scie:

N'utiliser que des lames suffisamment aiguisées.

### Lubrification:

Lubrifier les paliers du bras toutes les 50 heures de travail avec de l'huile légère (SAE 20).

## 9. Détecteur de pannes

### Moteur ne se met pas en route

\*Pas de courant-

Vérifier le voltage.

\*Défaut au moteur, bouton ou câble-

Contacter un électricien qualifié.

### Vibrations violentes de la machine

\*La machine n'est pas sur un sol plat-

Repositionner la machine.

### Equerre de coupe pas 90°

\*Mauvais réglage du guide d'inclinaison

### Résultat du sciage insuffisant

\*Lame de scie non adaptée

\*Lame de scie résineuse

\*Lame de scie usée

\*Lame de scie endommagée -

Changer immédiatement la lame

\*Pièce à usiner non homogène

\*Trop de pression sur le travail-

Ne jamais forcer sur le travail.

## 10. Protection de l'environnement

Protégez l'environnement !

Votre appareil comprend plusieurs matières premières différentes et recyclables. Pour éliminer l'appareil usagé, veuillez l'apporter dans un centre spécialisé de recyclage.

## 11. Accessoires

### Nombre d'article 10009939

Jeu de 5 lames de scie 5 D/4"

### Nombre d'article 10009940

Jeu de 5 lames de scie 7 D/4"

### Nombre d'article 10002151

Jeu de 6 lames de scie avec goupille 10 D/4"

### Nombre d'article 10002152

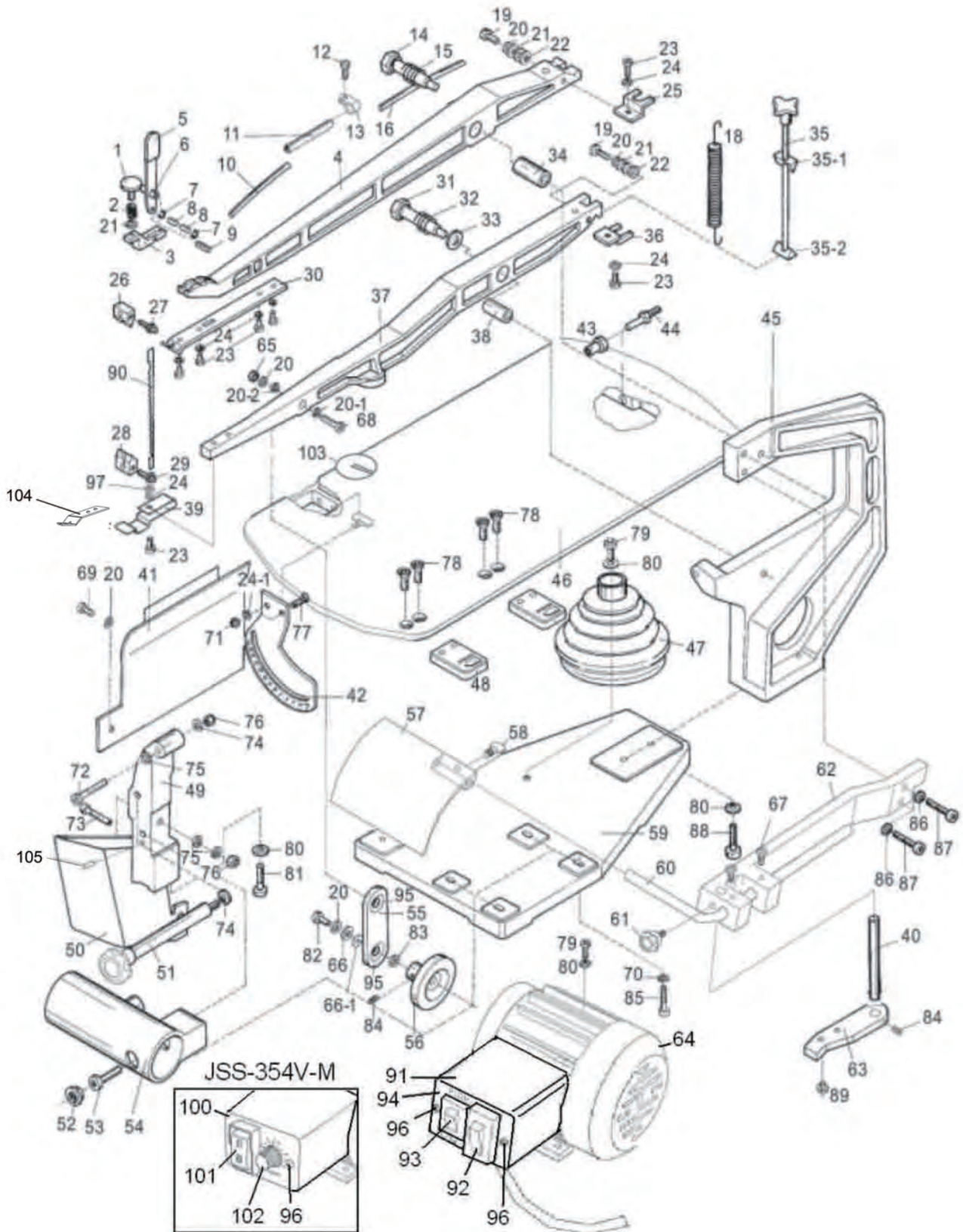
Jeu de 6 lames de scie avec goupille 15 D/4"

### Nombre d'article 10002150

Jeu de 6 lames de scie avec goupille 18 D/4"



# Ersatzteilzeichnung / Vue éclatée



# Ersatzteilliste / Pièces de rechange

Index No.	Part No.	Description / Beschreibung / Description	Qty
1	PM-354001	Screw / Schraube / Vis	1
2	PM-354002	Spring / Feder / Ressort	1
3	PM-354003	Support / Halter / Porteur	1
4	JSS354-004	Upper rocker arm/ Schwingarm / Bras	1
5	PM-354005	Lever / Hebel / Levier	1
6	PM-354006	Pin / Stift / Goupille	1
7	PM-354007	Snap ring / Sicherungsring / Circlip	2
8	PM-354008	Plastic bushing / Plastikhülse / Boulon	2
9	PM-354009	Bolt / Bolzen / Boulon	1
10	PM-354010	Hose / Schlauch / Tuyau	1
11	PM-354011	Tube / Rohr / Tube	1
12	PM-354012	Screw / Schraube / Vis	1
13	PM-354013	Hose clamp / Schlauchklemme / Bride	1
14	PM-354014	Bolt / Bolzen / Boulon	1
15	PM-354015	Spring / Feder / Ressort	1
16	PM-354016	Hose / Schlauch / Tuyau	1
18	PM-354018	Spring / Feder / Ressort	1
19	PM-354019	Screw / Schraube / Vis	2
20	PM-354020	Washer / Scheibe / Vis	5
20-1	PM-354020A	Washer / Scheibe / Rondelle	1
20-2	PM-354020B	Washer / Scheibe / Rondelle	1
21	PM-354021	Bushing / Büchse / Palier	2
22	PM-354022	Washer / Scheibe / Rondelle	2
23	PM-354023	Screw / Schraube / Vis	1
24	PM-354024	Washer / Scheibe / Rondelle	2
24-1	PM-354024A	Washer / Scheibe / Rondelle	2
25	PM-354025	Retainer / Halter / Porteur	2
26	PM-354026	Blade clamp / Blatthalter / Embout lame (0.5mm)	2
26	PM-354028K	Blade clamp / Blatthalter / Embout lame (0.7mm)	2
27	PM-354027	Screw / Schraube / Vis	2
28	PM-354026	Blade clamp / Blatthalter / Embout lame	2
28	PM-354028K	Blade clamp / Blatthalter / Embout lame (0.7mm)	2
29	PM-354027	Screw / Schraube / Vis	2
30	PM-354030	Retainer / Halter / Plaque	1
31	PM-354031	Bolt / Bolzen / Boulon	1
32	PM-354032	Spring / Feder / Ressort	1
33	PM-354033	Washer / Scheibe / Rondelle	1
34	PM-354034	Bushing / Büchse / Palier	1
35	PM-354035	Tension bolt / Spannschraube / Boulon	1
35-1	PM-354035-1	Nut / Mutter / Ecou	1
35-2	PM-354035-2	Nut / Mutter / Ecou	1
36	PM-354025	Support / Halter / Porteur	2
37	JSS354-037	Lower rocker arm / Schwingarm / Bras	1
38	PM-354038	Bushing / Büchse / Palier	1
39	PM-354039	Guard / Abdeckung / Protection	1
40	PM-354040	Bolt / Bolzen / Tige	1
41	PM-354041	Cover / Abdeckung / Couvercle	1
42	PM-354042	Tilting bracket / Schwenksegment / Segment	1
43	PM-354043	Bushing / Büchse / Palier	1
44	PM-354044	Bolt / Bolzen / Boulon	1
45	JSS354-045	Support arm / Gehäusearm / Bras	1
46	PM-354046	Table / Tisch / Table	1
47	PM-354047	Air pump / Blasebalg / Pompe	1

# Ersatzteilliste / Pièces de rechange

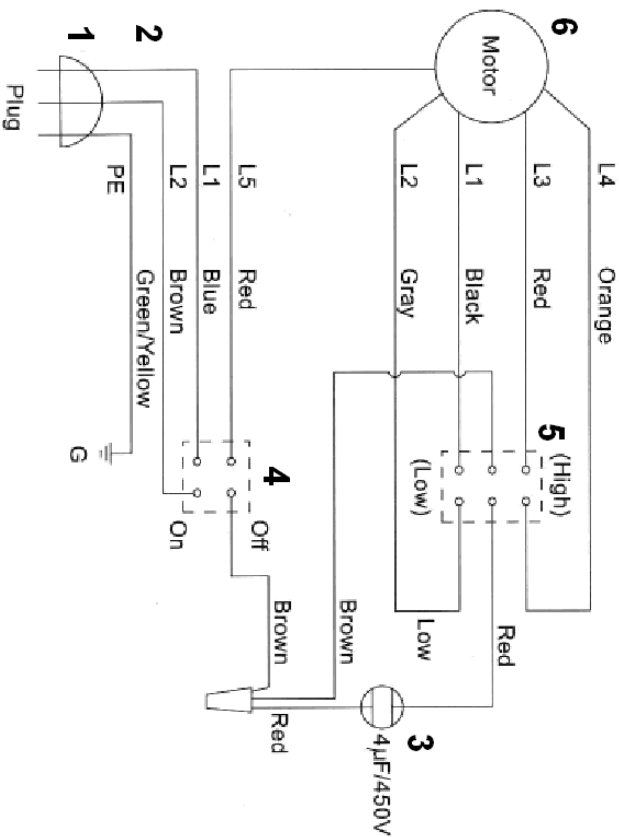
Index No.	Part No.	Description / Beschreibung / Description	Qty
48	PM-354048	Support gauge / Flansch / Support	2
49	PM-354049	Pivot support / Halter / Porteur	1
50	PM-354050	Cover / Abdeckung / Protection	1
51	PM-354051	Knob / Verschraubung / Boulon	1
52	PM-354052	Cover / Deckel / Couvercle	1
53	PM-354053	Screw / Schraube / Vis	1
54	PM-354054	Dust port / Absaugadapter / Adapateur d'aspiration	1
55	PM-354055	Connecting rod / Pleuel / Bielle	1
56	PM-354056	Crank disc / Kurbelscheibe / Poulie moteur	1
57	PM-354057	Guard / Schutzschild / Protection	1
58	PM-354058	Screw / Schraube / Vis	1
59	PM-354059	Table / Tisch / Base	1
60	PM-354060	Support rod / Bügel / Porteur	1
61	PM-354061	Knob / Drehgriff / Molette	1
62	PM-354062	Support flange / Flansch / Support	1
63	PM-354063	Hold down / Niederhalter / Flasque	1
64	JSS354-064	Motor / Motor / Moteur, 700/1400/min	1
	JSS354V-064	Motor / Motor / Moteur, variable 400~1400/min	1
65	PM-354065	Nut / Mutter / Erou	1
66	PM-354066	Washer / Scheibe / Rondelle	1
67	PM-354067	Screw / Schraube / Vis	1
68	PM-354068	Screw / Schraube / Vis	1
69	PM-354069	Screw / Schraube / Vis	1
70	PM-354070	Screw / Scheibe / Rondelle	2
71	PM-354071	Nut / Mutter / Erou	1
72	PM-354072	Screw / Schraube / Vis	1
73	PM-354072	Screw / Schraube / Vis	1
74	PM-354074	Screw / Scheibe / Rondelle	1
75	PM-354075	Screw / Scheibe / Rondelle	2
76	PM-354076	Nut / Mutter / Erou	2
77	PM-354077	Screw / Schraube / Vis	1
78	PM-354078	Screw / Schraube / Vis	4
79	PM-354079	Screw / Schraube / Vis	1
80	PM-354080	Washer / Scheibe / Rondelle	3
81	PM-354081	Screw / Schraube / Vis	1
82	PM-354082	Screw / Schraube / Vis	1
83	PM-354083	Washer / Scheibe / Rondelle	1
84	PM-354084	Screw / Schraube / Vis	1
85	PM-354085	Screw / Schraube / Vis	1
86	PM-354086	Washer / Scheibe / Rondelle	2
87	PM-354087	Screw / Schraube / Vis	2
88	PM-354088	Screw / Schraube / Vis	1
89	PM-354089	Screw / Schraube / Vis	1
90	10009939	Saw blades / Sägeblätter / Lames 5Z" (5x)	1
	10009940	Saw blades / Sägeblätter / Lames 7Z" (5x)	1

## Ersatzteilliste / Pièces de rechange

<b>Index No.</b>	<b>Part No.</b>	<b>Description / Beschreibung / Description</b>	<b>Qty</b>
91	PM-354091	Switch box / Schalterbox / Boîte interrupteur JSS-354	1
92	PM-354092	Main switch / Hauptschalter / Interrupteur général JSS-354	1
93	PM-354093	Switch 1-2 / Schalter 1-2 / Interrupteur 1-2, JSS-354	1
94	PM-354094	Switch plate / Schalterplatte / Plaque interrupteur JSS-354	1
95	PM-354095	Ball bearing / Kugellager / Roulement...	2
96	PM-354096	Screw / Schraube / Vis	1
97	PM-354097	Nut / Mutter / Erou	1
100	PM-354100	Switch box / Schalterbox / Boîte interrupteur JSS-354V	1
101	PM-354101	Main switch / Hauptschalter / Interrupteur général JSS-354V	1
102	PM-354102	Switch variable / Schalter / Interrupteur vitesse variable JSS-354V	1
103	PM-354103	Table insert / Tischeinlage / Insertion table	1
104	PM-354104	Retainer / Halter / Plaque	1
105	PM-354105	Pin / Stift / Goupille	2

**JSS-354**

**~230V / 50Hz**

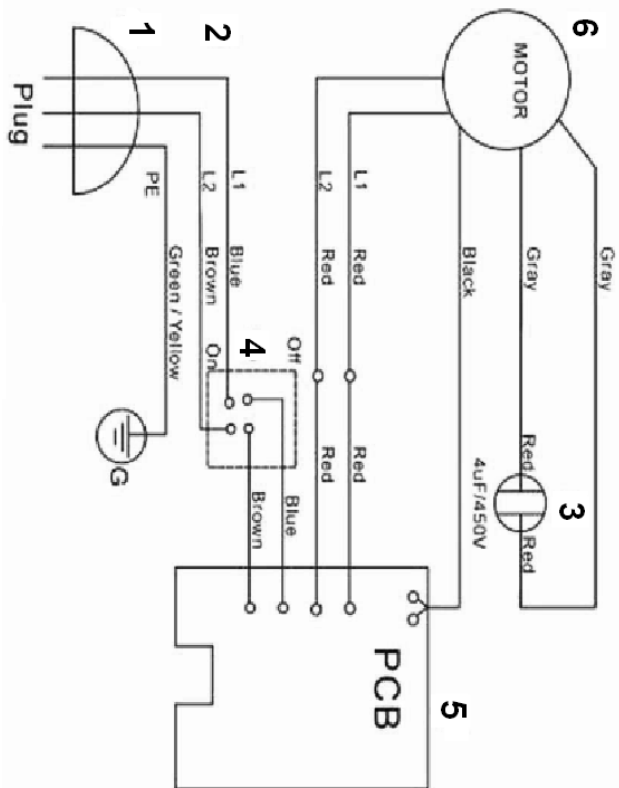


**Electrical parts list / Elektro-Stückliste / Liste de piece électrique**

	Function / Funktion / Fonction	Specification	Type
1	Plug / Netzstecker / Fiche	230V, 10A	VDE, ÖVE
2	Power cord / Netzkabel / Câble	H05VVF 0.75mm <sup>2</sup> x 3C x 6L	VDE
3	Capacitor/ Kondensator / Condensateur	4µF 450VAC	VDE
4	ON-OFF Switch / Ein-Aus Schalter / Interrupteur Marche-Arret	230V, 10A, KJD16	VDE
5	Switch 1-2 / Umschalter 1-2 / Interrupteur 1-2	230V, 10A, TR26-2	VDE
6	Motor-8 pole / Motor / Moteur	~230V, 50Hz, 120W, 8P	

**JSS-354V**

**~230V / 50Hz**



**Electrical parts list / Elektro-Stückliste / Liste de piece électrique**

	Function / Funktion / Fonction	Specification	Type
1	Plug / Netzstecker / Fiche	230V, 10A	VDE, ÖVE
2	Power cord / Netzkabel / Câble	H05VVF 0.75mm <sup>2</sup> x 3C x 6L	VDE
3	Capacitor/ Kondensator / Condensateur	4µF 450VAC	VDE
4	ON-OFF Switch / Ein-Aus Schalter / Interrupteur Marche-Arret	230V, 10A, KJD16	VDE
5	Circuit board / Steuerplatine stufenlos / Carte électronique variable	PCB	
6	Motor-4 pole / Motor / Moteur	~230V, 50Hz, 120W, 4P	



# Garantieschein / Bon de garantie



# J E T

## Garantie



Wir gewähren Ihnen auf den unten eingetragenen Artikeln Garantie auf die Dauer von 24 Monaten ab Laufdatum. Einzige Voraussetzung: dieses ausgefüllte persönliche Garantie-Zertifikat muss der zur Reparatur eingesandten Maschine beigelegt sein.

Par ce document nous nous engageons à réparer l'article mentionné ci-dessous en garantie pendant une période de 24 mois à partir de la date d'achat. Cette garantie ne sera pas honorée si ce certificat dûment complété n'est pas renvoyé avec la machine en question pour toute réparation.

\_\_\_\_\_  
Modell / Modèle

\_\_\_\_\_  
Namen und Anschrift des Käufers / Nom et adresse de l'acheteur

\_\_\_\_\_  
Serie-Nr. / N° de série

\_\_\_\_\_  
Kaufdatum / Date de l'achat

\_\_\_\_\_  
Händler-Stempel

\_\_\_\_\_  
Cachet du revendeur